

Adapters | SP

Application Systems
Optics & Optical Coatings
Opto-Mechanics

Bases

Manual Stages

Actuators & Adjusters

MotORIZED Stages

Light Sources & Laser Safety

Index

Guide

Vibration Isolation Systems

Optical Tables

Darkrooms/
Dark Boxes

Optical Bases

Posts

Brackets

Adapters

Tools

50x50mm Adapter Plates | SP-102

RoHS Catalog Code W6058

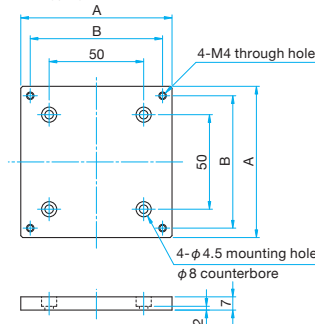
- Mounting hole converting adapter for stages.



Specifications		Primary material: Aluminum Finish: Black Anodized
Part Number	Weight [kg]	
SP-102-1	0.12	
SP-102-2	0.18	
SP-102-3	0.27	

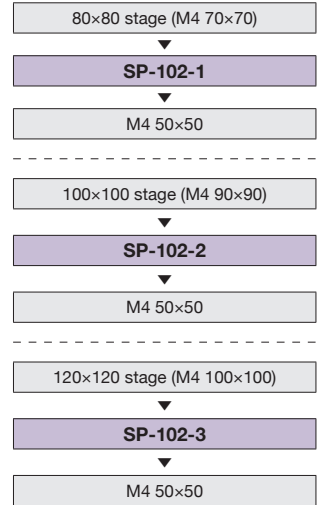
Outline Drawing

SP-102
Hexagonal socket head screw M4x6...4 screws (common to 3 types)



Part Number	A (mm)	B (mm)
SP-102-1	80	70
SP-102-2	100	90
SP-102-3	120	100

Connection Example



Top Plates for KSP/KSPA | SP-103

RoHS Catalog Code W6059

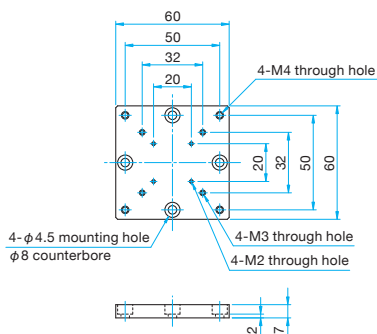
- Mounting hole-converting adapter for θ axis rotation stages.



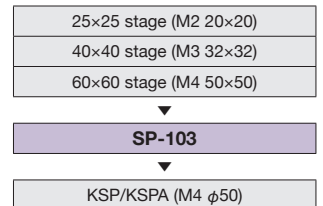
Specifications		Primary material: Aluminum Finish: Black Anodized
Part Number	Weight [kg]	
SP-103	0.06	

Outline Drawing

SP-103
Hexagonal socket head cap screw M4x6...4 screws



Connection Example



Bottom Plates for KSP-786M | SP-104

RoHS Catalog Code W6060

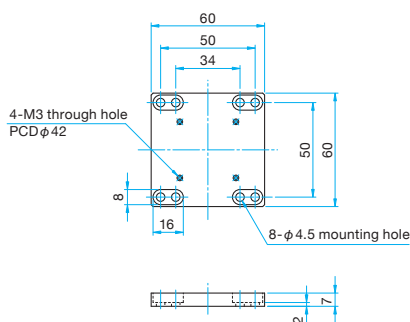
- Allows the KSP-786M to connect to a M4 breadboard.



Specifications		Primary material: Aluminum Finish: Black Anodized
Part Number	Weight [kg]	
SP-104	0.06	

Outline Drawing

SP-104
Hexagonal socket head cap screw M4x6...4 screws



Connection Example

