

# Blade Type Automatic Diaphragm

Motor driven diaphragm for remote operation.

There are two types of aperture diameter, 1/2 inch and 1 inch.

Please use with designated controller SSH-C1R and cable SSH-AIR-CA-2.

- In addition to assemble with a post, SSH-IR can be used with cage system
- The aperture can be freely adjusted by operating the controller SSH-C1R.



## Guide

▶ Please use designated controller SSH-C1R and cable SSH-AIR-CA-2.

▶ **WEB Reference** **Catalog Code** W4054



Common Specifications	
Operating Temperature	5 - +40°C
Storage Temperature	-20 - +60°C
Ambient Humidity	20 - 80%RH (without condensation)

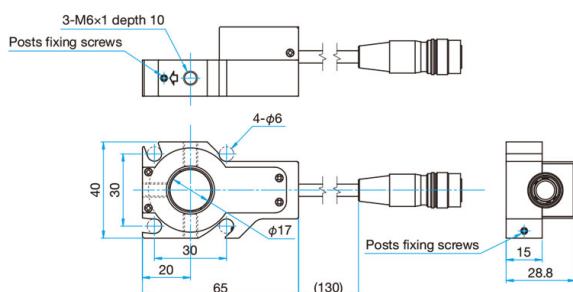
## Attention

- ▶ Blade type automatic diaphragm cannot be used with high-power lasers or high-energy pulse lasers.
- ▶ The controller SSH-C2B, SSH-C4RA, SSH-C1RA or SSH-C1RA-H cannot be used with SSH-IR.

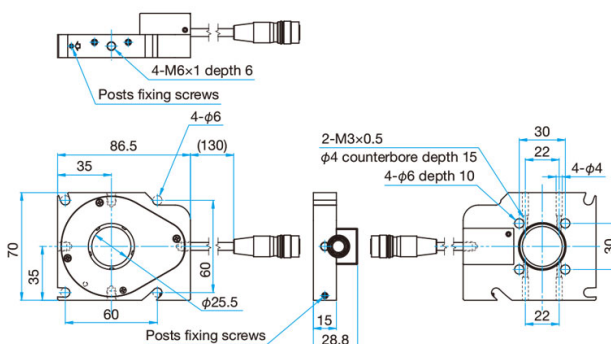
## Outline Drawing

(in: mm)

### C30-SSH-17IR



### C60-SSH-25IR



## Specifications

Part Number	Price [JP Yen]	Minimum aperture diameter [mm]	Maximum aperture diameter [mm]	Applicable size of cage	Weight [kg]
<b>C30-SSH-17IR</b>	54,000	0	17	C30	0.100
<b>C60-SSH-25IR</b>	61,000	0	25.5	C30, C60	0.218

# Controller for Blade Type Automatic Diaphragm / Cable for Blade Type Automatic Diaphragm

A designated controller and cable (cable length 2m) for remote operatable motor driven blade type automatic diaphragm.

- The aperture of the diaphragm diameter can be freely adjusted remotely by connecting the controller to the blade type automatic diaphragm C30-SSH-17IR or C60-SSH-25IR.
- SSH-IR-C is an easy operation controller which can adjust with external analog signal or from PC.



### Guide

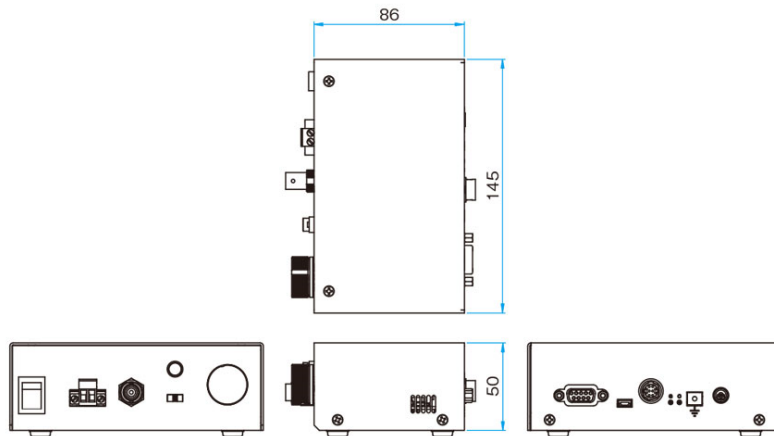
▶ Please use cable SSH-AIR-CA-2 with blade type automatic diaphragm C30-SSH-17R or C60-SSH-25IR and controller SSH-C1IR).

▶ [WEB Reference](#) [Catalog Code](#) W4053

Outline Drawing

(in: mm)

### SSH-C1IR



Specifications		
Part Number	SSH-C1IR	SSH-AIR-CA-2
Price [JP Yen]	70,000	9,000
Product Name	Controller for Blade Type Automatic Diaphragm	Cable for Blade Type Automatic Diaphragm
Power supply (with AC adapter)	AC100 - 240V (50/60Hz)	-
Power consumption	15VA	-
Operating Temperature	5°C - 40°C	-
Storage Temperature	-20°C - 60°C	-
Ambient Humidity	20 - 80%RH (without condensation)	-
Dimensions W×D×H [mm]	145×50×86 (excluding protrusions)	-
Interface	RS232C, USB (miniB female connector)	-
Length of Cable [m]	-	2
Weight [kg]	0.63	0.12