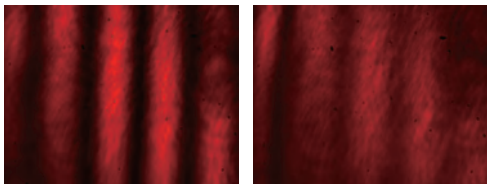
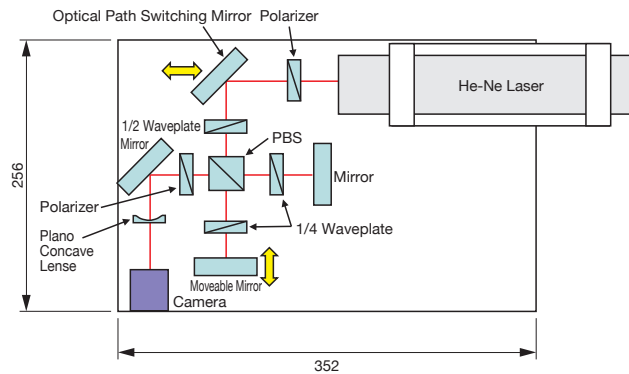
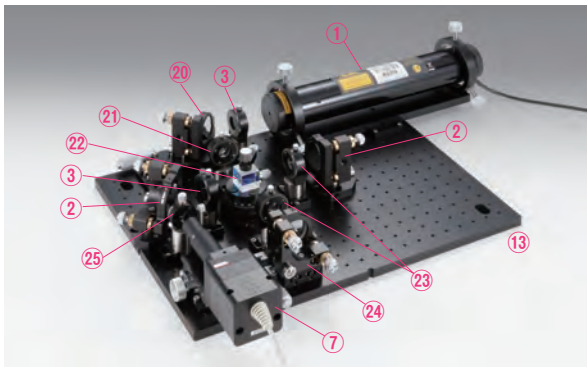


Coherent Length Measuring Machine | DTM-CLMI

Catalog Code **W1023**



Interference pattern of the optical path difference of 0µm Interference pattern of the optical path difference of 10µm

As a polarizing Michelson interferometer using PBS and 1/4 wave plate, we have measured the coherent length of the background light of the semiconductor laser. First, it takes the alignment of the interferometer in the He-Ne laser and retracts mirrors on the stage, and then collimating light of the semiconductor laser is incident to the interferometer. After removing the laser light by the polarizing plate, the semiconductor laser is observed only the background light by the camera. By adjusting the movable mirror little by little, it can be found the position that the interference fringes appear. The length of the range that is visible the interference fringes will be coherent length.



A movable mirror for changing the optical path difference

	Product Name	Part Number	Quantity
①	Laser Module	DTM-05-LHP-111	1
③	Polarizer Module	DTM-SFP-30C-32	2
②①	Optical Path Switching Mirror Module	TFA-30C05-10-TSD-40801S	1
②①	1/2 Waveplate Module	DTM-WPQ-6328-2M	1
②②	PBS Module	DTM-PBS-20-6328	1
②③	1/4 Waveplate Module	DTM-WPQ-6328-4M	2
②	Mirror Module	DTM-TFA-30C05-10	2
②④	Moveable Mirror Module	TFA-30C05-10-TSD-401S	1
②⑤	Plano Concave Lens Module	DTM-SLB-10-30NM	1
⑦	C Mount Camera Module	DTM-CMH	1
⑬	D-TOP Breadboard	DOBC-2632	1

Custom-made

TOP is configured using the catalog product primarily, but it may be requested a adapter, holder and base that are not in the catalog in order to fix a light source, special shape sample and detector. In such a case, if you can tell us the specifications (dimension) of the light source, sample and detector, we can produce the dedicated holder. In addition, for a possible combination of catalog products, we can do the alteration of the products and produce the custom-made connecting plate. Please contact our International Sales Department.



Application Systems

Optics & Optical Coatings

Opto-Mechanics

Bases

Manual Stages

Actuators & Adjusters

Motoeized Stages

Light Sources & Laser Safety

Index

Microscope Unit

Alignment

Interferometers

Inspection/Observation

Bio-photonics

Laser Processing