

Zoom Microscope Option

Rear Converter Lens | ZRCL

RoHS Catalog Code W2037

By mounting this rear converter lens between the camera and lens barrel, magnification can be increased without changing the working distance or the objective.

Application Systems

Optics & Optical Coatings

Opto-Mechanics

Bases

Manual Stages

Actuators & Adjusters

MotORIZED Stages

Light Sources & Laser Safety

Index

Microscope Unit

Alignment

Interferometers

Inspection/Observation

Bio-photonics

Laser Processing



Specifications		
Part Number	ZRCL-1.5	ZRCL-2.0
Magnification	1.5x	2.0x
Camera mount (Lens side / Camera side)	C mount	

Guide

- ▶ A variety of microscope for C-mount compatible and camera are provided. **Reference** (Microscope, Zoom Microscope, OUCI-2, Camera)

Attention

- ▶ It is only for C mount, so it can not be used to the CS mount products such as microscopes, observation systems or cameras.
- ▶ Optical performance and resolution will not be improved even if mounting the rear converter lens. It will be depending on the performance of the microscope.

Reference image Zoom Microscope LWZ-15 (Optical Magnification 15x)



Without Rear converter
Observation Field of View About 0.55x0.45mm



ZRCL-1.5
Observation Field of View About 0.37x0.3mm



ZRCL-2
Observation Field of View About 0.28x0.22mm

Ring Light Guide | ZRL-ZOL15

RoHS Catalog Code W2038

Best used for viewing objects with sloping features, providing a shadow free image.



Guide

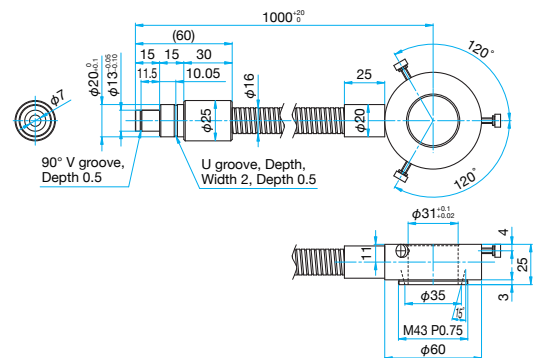
- ▶ A variety of light source is available. **Reference** (LED light source, Tungsten Halogen light source and Metal Halide light source)

Attention

- ▶ This product is only for Zoom microscope (LWZ-15/LWZ-15M). If it is used with other products, there is a possibility that optimal illumination can not be done.

Outline Drawing

(in mm)



Focusing Unit / Pole Stand | ZAS-FAC-PST / PS-S/L

RoHS Catalog Code W2039

Except ZAS-FAC-PST

These products proved a base and fine focusing capability for the Zoom microscope units and the OUCI microscope bodies.

Guide

- ▶ Standard 60mm sized manual stages can be mounted to the base plate using the M4 hole pattern.

Attention

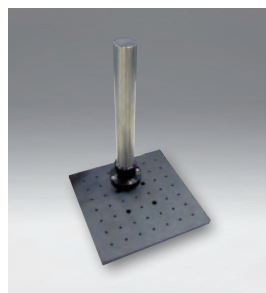
- ▶ Screws are not supplied with focusing unit for fixing to observation unit with coaxial illumination and zoom microscope.
- ▶ When using a focusing unit and pole stand, please check that required working distance is ensured. ULWZ series is not available for long working distance.

Outline Drawing

(in mm)

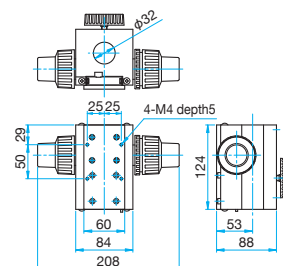


Specifications	
Part Number	ZAS-FAC-PST
Travel [mm]	30

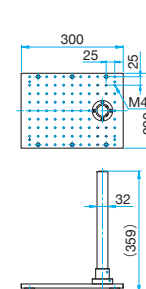


Specifications		
Part Number	PS-S	PS-L

ZAS-FAC-PST



PS-S



PS-L

